

# Best suitable model for Rice Outside Rolls (*Uramaki*) such as California Roll !

This new model has improved rice forming design and roll forming process. Anyone can make Roll Sushi like a experienced chef.

## Supporting 7 Languages

LCD operation touch panel can be displayed in either English, French, German, Spanish, Korean, Chinese, and Japanese by user selection on panel.

## Process



1. It spreads sushi rice onto the forming sheet



2. Place *Nori* (dried seaweed) by hand on the rice



3. Place ingredients by hand



4. It starts rolling



5. Automatically roll up



6. Forms beautiful rolls



# Roll Sushi Making Machine SVR-BXA



# Roll Sushi Making Machine **SVR-BXA**

## Features

- 6 kinds of Rolls can be memorized (22mm dia. – 70mm dia).
- Rice length, thickness and even density of rice can be adjusted.
- Rice sheet can be supplied continuously without rolling proces.
- Re-roll up function is added to make Rolls tighter when needed.
- Convenient LCD touch panel, supporting 7 languages either English, Spanish, French, German, Korean, Chinese or Japanese.
- Easy operation & cleaning.

## Specifications

### Model

SVR-BXA-CE (Applied to CE Regulation)  
SVR-BXA-ET (Applied to ETL/cETL)

### Input

AC100 - 240V, 50/60Hz Single phase

### Power consumption

110W

### Capacity

Approx. 250 - 350 rolls/hr

\* Production capacity varies by operator's working speed.

### Hopper capacity

MAX 7.5kg of cooked rice

### Roll Size

22mm - 70mm diameter

### Machine dimensions (in mm)

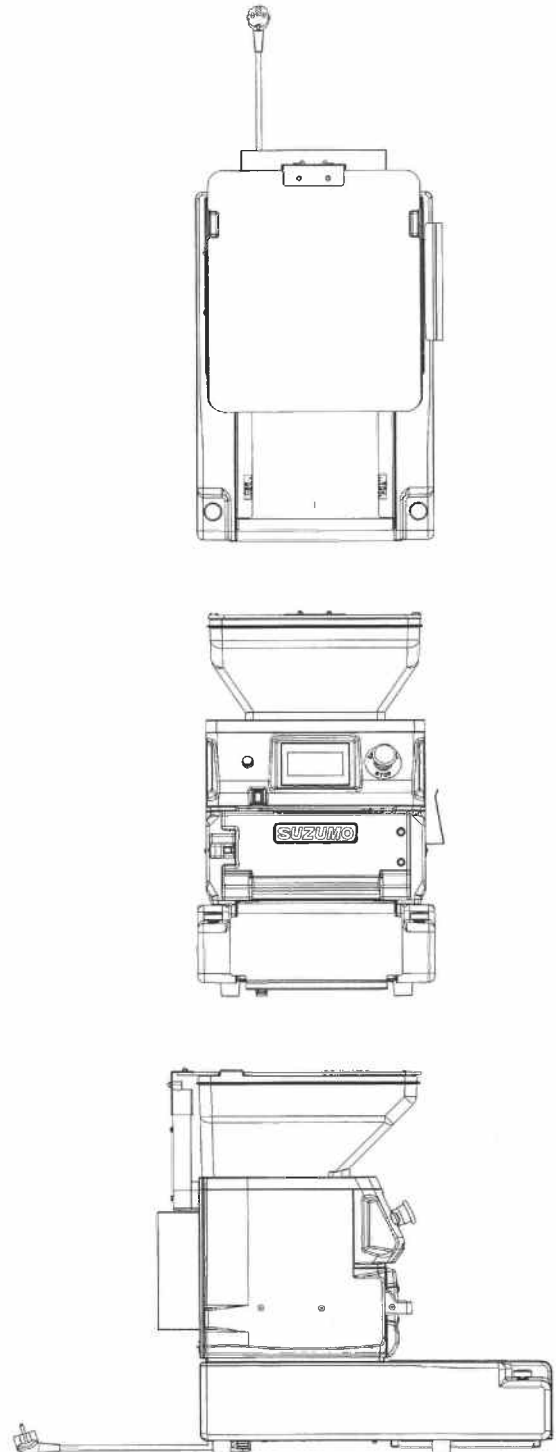
Width: 390mm  
Depth: 650mm (SVR-BXA-CE)  
Depth: 580mm (SVR-BXA-ET)  
Height: 640mm

### Weight

41.5Kg

## Dimensions

(SVR-BXA-CE)



\*Designs and specifications are subject to change without notice.



Suzumo Machinery Co., Ltd.

Overseas Business Division  
2-23-2, Toyotamakita, Nerima-ku,  
Tokyo 176-0012, Japan  
Tel. +81 3-3993-1407 Fax. +81 3-3993-1756  
e-mail overseas@suzumo.co.jp  
URL <http://www.suzumokikou.com>

< Contact in North America >

Suzumo International Corporation

1815 W. 205th Street, Suite 101  
Torrance, CA 90501, U.S.A.  
Tel. +1 310-328-0400  
Fax. +1 310-328-2700  
e-mail sic@suzumokikou.com