

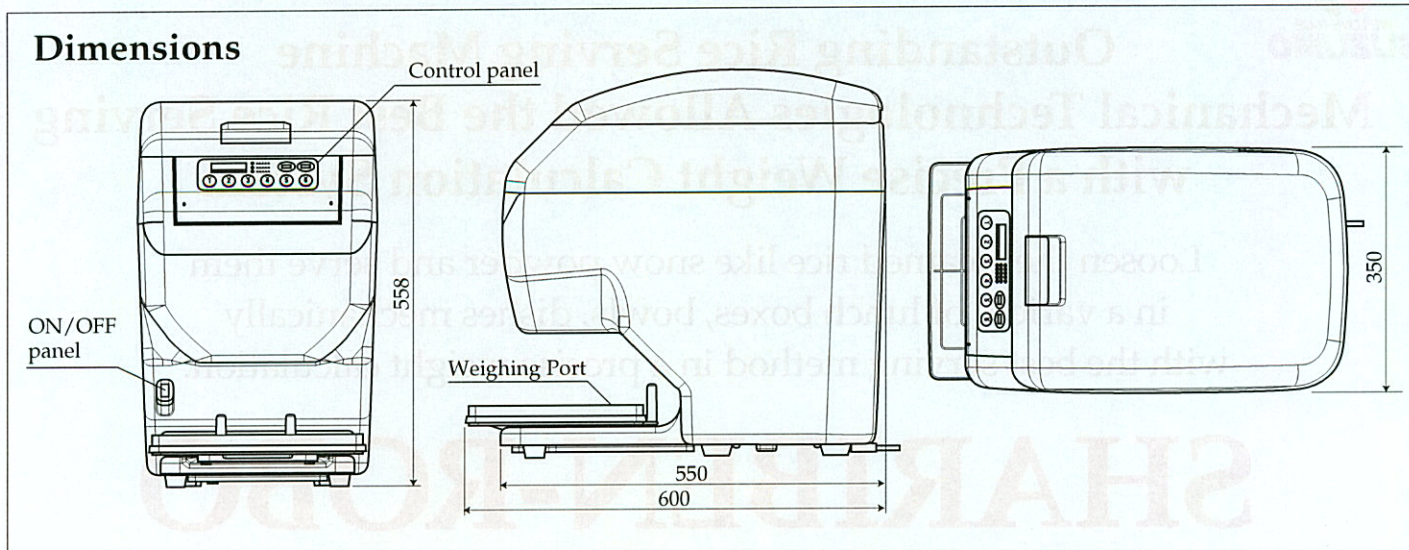


Outstanding Rice Serving Machine Mechanical Technologies Allowed the Best Rice Serving with a Precise Weight Calculation System

Loosen the steamed rice like snow powder and serve them
in a variety of lunch boxes, bowls, dishes mechanically
with the best serving method in a precise weight calculation.

SHARIBEN-ROBO GST-RSB





What is SHARIBEN-ROBO's Outstanding Features:

- Mechanical automatic weight calculation system; automatically acknowledge the size of bowl, and weighs / serves the rice to fit the bowl precisely.
- Patent: Loosen the rice mechanically at the best condition and serve the rice so that the taste should be the best flavored condition.
- Temperature keeping system provides the rice at the best temperature condition for hours.
- You can change weight of rice freely to fit the requirement.
- Contributing the saving of serving hours and the associated cost; realize the serving of 600 bowls / hour.
- Minimize the manual handling and improve the hygiene control.
- Easy to move and you can secure the space for other purpose as necessary.
- Compact design and easy maintenance like home electric apparatuses, and easy for disassembly and cleaning
- Making rice balls by the served rice from SHARIBEN-ROBO will be one of the best approaches at the equivalent rice volume with the best rice condition. Big size rice balls such as 100 - 180g and 200g could also be available easily through our SHARIBEN-ROBO.

Specifications:

Dimensions: 350(W) x 550(D) x 558(H) mm

Capacity: 600 dishes / Hr. (Up to 200g rice serving / dish)

Power: 1P/100V/ 50, 60Hz

Power Consumption: 150W (Max. 400W when heater is activated)

Hopper Capacity: Approx. 14 liters.

Weight: Approx. 25kg

* Designs and specifications subject to change without notice.

* Please follow the directions in the operations manual when handling the robot.

* While capacity expresses the machine's performance capabilities, it is predicated upon the robot being operated correctly.



Suzumo Machinery Co., Ltd.

Overseas Business Division

2-23-2, Toyotamakita, Nerima-ku, Tokyo 176-0012, Japan

Tel. 81-3-3993-1407 Fax. 81-3-3993-1756

e-mail overseas@suzumo.co.jp

URL <http://www.suzumokikou.com>

Printed in Japan